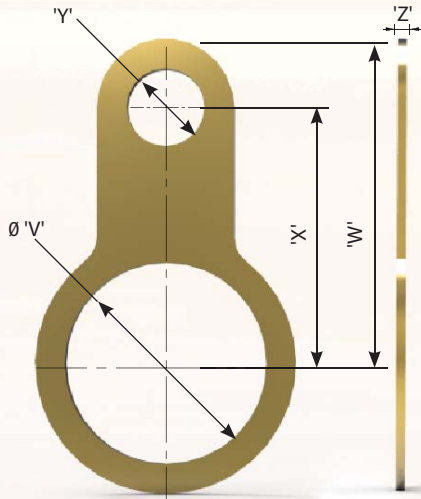


### Earthtags



#### General Information

- Provides an earth bond attachment for a cable gland.
- Manufactured in Brass as standard.
- Stainless Steel earthtags are available, but the dimensions may differ slightly to those stated in the selection table. Please contact the Hawke Sales Team for details.
- The earthtag shape may vary for different sizes.

Note: All dimensions are in millimetres.

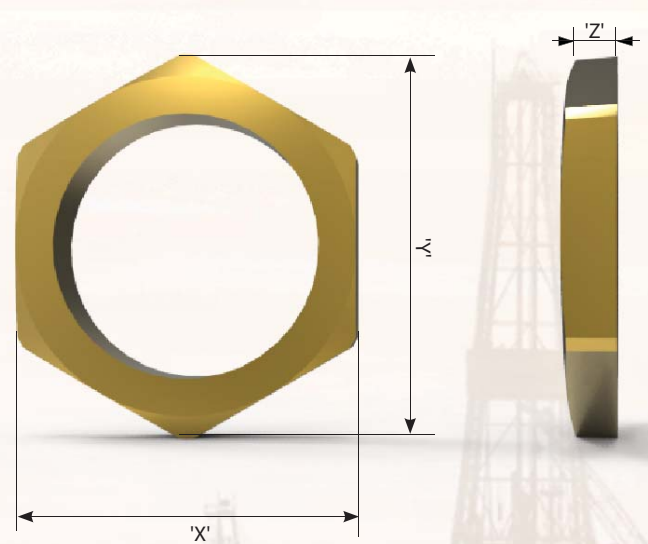
SELECTION TABLE

Gland Size 'V'	'Y'	'W'	'X'	'Z'
M20	6.75	39.6	33.1	1.5
M25	6.85	45.5	36.5	1.5
M32	12.6	52.0	40.9	1.5
M40	13.4	59.6	44.2	1.5
M50	13.5	78.9	58.1	1.5
M63	13.5	87.6	66.8	1.5
M75	13.5	93.7	72.9	1.5
M80	14.0	128.0	104.0	1.5
M90	14.0	128.0	104.0	1.5
M100	14.0	128.0	104.0	2.0
M110	13.5	136.0	115.0	2.0
M115	13.5	141.0	120.0	2.0
M120	13.5	143.5	122.5	2.0
M130	13.5	153.0	128.0	2.0

#### Ordering Examples:

Product	Thread Size	Material	Finish
Earthtag	M25	Brass	N/A

### Locknuts



#### General Information

- For use on cable gland entry threads.
- Manufactured in Brass as standard.
- Stainless Steel locknuts are also available, but dimensions may differ from the ones in the table.
- Locknuts for PG thread sizes are available.

Note: All dimensions are in millimetres except \* where dimensions are in inches.

SELECTION TABLE

Gland Size	Across Flats 'X'	Across Corners 'Y'	'Z'	NPT * Gland Size	Across Flats 'X'	Across Corners 'Y'	'Z'
M16	19.0	21.9	3.2	—	—	—	—
M20	24.2	26.9	4.0	½"	30.0	33.6	4.7
M20	24.0	26.9	4.0	¾"	30.0	33.6	4.7
M25	30.0	33.6	4.0	1"	36.0	40.3	6.4
M32	46.0	53.1	4.0	1 ¼"	46.0	53.1	6.4
M40	65.0	53.1	4.8	1 ½"	55.0	61.6	6.4
M50	80.0	72.8	4.7	2"	65.0	72.8	6.4
M63	95.0	89.6	6.4	2 ½"	80.0	89.6	6.4
M75	106.4	107.0	6.4	3"	95.0	107.0	6.4
M80	106.4	119.2	10.0	3 ½"	127.0	143.0	9.0
M90	106.4	119.2	10.0	4"	140.0	152.0	10.0
M100	127.0	139.0	9.0	5"	170.0	187.0	10.0
M110	127.0	139.0	9.0	6"	200.0	220.0	10.0
M115	127.0	139.0	9.0	---	---	---	---
M120	140.0	152.0	9.0	---	---	---	---
M130	150.0	165.0	9.0	---	---	---	---

#### Ordering Examples:

Product	Thread Size	Material	Product	Thread Size	Material
Locknut	M25	Brass	Locknut	1" NPT	Brass