

VoIP Auteldac 4

VoIP IECEx and ATEX Approved Hazardous Area Telephone



*Image for illustration purposes only



- World's First IECEx/ATEX Zone 1 VoIP telephone
- II 2GD & II 2G ATEX Certified variants for Gas and Dust, IEC Ex certified
- Zone 1 & 2, Zone 21 & 22 Compliant models
- INMETRO Approved for Gas
- Power over Ethernet (spare pair only)
- VoIP SIP Protocol (RFC3261)
- Web Page configuration
- Real time alarm reporting via e-mail
- Full keypad with 3 programmable memory buttons, or CB variant
- Operating Temperature -20°C to +50°C
- Adjustable Sounder
- Configurable relay output
- Robust and weather resistant (IP66 with curly cord, IP54 with steel cord)
- Industry standard robust handset with curly cord or armoured stainless steel
- Headset option*
- CE Compliant

The VoIP Auteldac 4 (A4) is the world's first ATEX and IECEx Zone 1 & Zone 21 approved IP telephone. Providing simple network connection without the need for analogue convertors, extending VoIP access to arduous industrial atmospheres and environmental extremes.

With only one voice and data infrastructure to install and maintain, VoIP telephony saves time, money and call costs.

Certified for safe operation in hazardous areas, the VoIP A4 body is made from carbon loaded glass filled polyester. The elimination of moving parts ensures a high level of reliability in industrial and hazardous environments and enables ingress protection up to IP66.

The VoIP A4 telephone has a configurable relay output fitted as standard, which may be used for ring strobe activation or local speaker mute. An inductive coupler is fitted to aid the hard of hearing. For hands-free telephone use, the Auteldac 4 has the option of an ATEX approved headset*.

Options: The VoIP A4 is offered with a choice of armoured stainless steel or curly handset cords.	
18 button Full Keypad Included in the 18 button version, are 3 direct dial buttons for fast one touch dialling of pre-stored numbers. Includes: M1- M3 Memory buttons, plus S 'Store', R 'Recall', LR 'Last number redial'	
0 button This can be used to initiate a 'hotline'. Autodial on handset lift also available.	

Easy configuration: password protected intuitive web pages held within the telephone can be accessed using a browser such as Internet Explorer to view, monitor and change settings within the telephone.
24/7 Availability: telephones with memory buttons have an automatic call divert facility so that if a number or URI is not available then up to 20 alternatives can be dialled automatically.

*Please note that the headset is ATEX Certified only (not IECEx)

VoIP Auteldac 4 Telephone - Technical Specifications

General Specifications

Enclosure: (Wall mounted) Black carbon loaded glass-filled polyester

Handset: Polycarbonate handset with conductive coating, with coiled cord or stainless steel spiral cord (extended cord lengths available).

Keypad: Weathersealed tactile digital keypad

Certified Operating Temperature: -20°C to +50°C

Relative Humidity: Up to 95% (non-condensing)

Weather Ingress protection: IP66 Curled cord, IP54 Steel Cord

Connection type: Spring loaded cage clamps

Network: 100BaseT

Power Supply: External 24V min, 48Vmax dc or IEEE Compliant Power-Over-Ethernet (PoE). Alternative B (spare pairs) only, not data pair. Draws up to 7W.

Call set-up Protocol: Session Initiation Protocol (SIP) (RFC 3261 compliant)

Codes & Audio: G.711 A-Law G.711 μ -Law G.722 G.729 G.723.1 MP-MLQ G.723.1 ACELP

Codec preference sequence, DTMF in band/out of band (RFC2883), Configurable comfort tones (nation specific)

Security: Password protected

Quality of Service: Priority of IP Packets according to TOS and DiffServ VLAN Priority according to IEEE8021.p/802.1q

Reliability: MTBF 53,000 hours

Redundancy: Supports up to 4 SIP proxies

Configuration: Via configuration file or on board password protected web page server. Static IP address or DHCP.

Monitoring: Automatic fault reporting via email or Syslog messaging. Real-time over TCP/IP proprietary Syslog application.

Audio Path Testing: Allows remote testing of handsets, to verify that a phone is functioning acoustically. Can be run on demand or on a scheduled basis, reporting its results via Syslog and / or email.

Update Server: Configuration and Firmware update via TFTP

IP Address: Static IP provisioning or Dynamic Host Configuration Protocol (DHCP)

ICMP: Internet Control Message Protocol for inbuilt ping test

Memory Dialling: Numbers or URIs (with comfort tones)

Configurable Call Lists: Max 20 entries which divert to next in list if the call fails

External I/O: Single Relay contact pair rated for external beacon or sounder. Configurable activation e.g. on ringing cadence. Contact rating 5Amps @250Vac max.

Call Records: Via call description reports

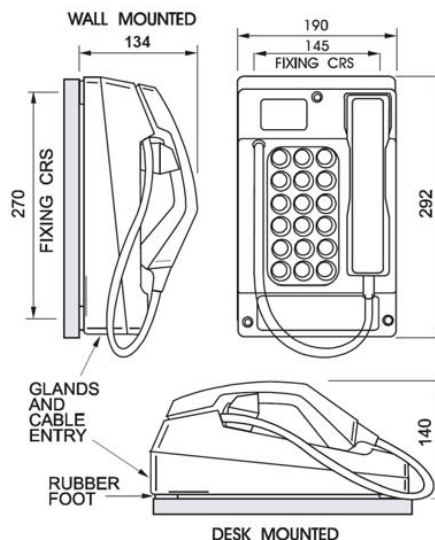
Time/Date: Simple Network time Protocol with time zone and daylight saving. Date format – European / US

Ringling: Configurable via configuration file or web page. 90db @ 1 metre typical. Configurable volume

Time Out: Enforces a fixed call maximum time limit (variable) from lifting of the handset. User selectable.

Weight: approx. 3.2 kg

Dimensions



Approvals



This mark indicates compliance with the: Radio & Telecommunications Terminal Equipment Directive 1999/5/EC (R&TTE)

The GAI-Tronics Quality Management System has been approved by LRQA to ISO9001:2008, ISO 14001:2004 and OHSAS 18001:2007 Certificate No. 861888

Telephone compliance

Baseefa09ATEX0261

- Ex II 2GD (curly cord, no headset)
- Ex e ib mb IIC T4 Gb (-20°C ≤ Ta ≤ +50°C) Dust variant
- Ex ibD tb IIIC T180°C Db (-20°C ≤ Ta ≤ +50°C) Dust variant
- Ex II 2G (steel cord and/or headset versions)
- Ex e ib mb IIC T4 Gb (-20°C ≤ Ta ≤ +50°C) Non-dust variant

IECEX BAS 09.0126

- Ex e ib mb IIC T4 Gb (-20°C ≤ Ta ≤ +50°C) Non-dust variant
- Ex e ib mb IIC T4 Gb (-20°C ≤ Ta ≤ +50°C) Dust variant
- Ex ibD tb IIIC T180°C Db (-20°C ≤ Ta ≤ +50°C) Dust variant

INMETRO Approval (Brazil) CEPEL 11.2017

- Ex e ib mb IIC T4 Gb (-20°C ≤ Ta ≤ +50°C)

Headset compliance

- Ex II 2G EEx ib IIC T4 (-20°C ≤ Ta ≤ +40°C) TUV03ATEX2124

Order Information

VoIP Auteldac 4 Curly Cord		
0btn standard unit	212-02-7000-001	Dust & Gas
18btn standard unit	212-02-7008-001	Dust & Gas
VoIP Auteldac 4 Stainless Steel Cord		
0btn standard unit	212-02-7000-010	Gas
18btn standard unit	212-02-7008-010	Gas
Headset and Plug		
Headset & plug for Auteldac 4 & 5 with socket (Hazardous Area)		100-02-0598-001
Extension cord for Auteldac 4 & 5 Headset (Hazardous Area)		610-35-2036-001

T: 01283 500500, F: 01283 500400, E: sales@gai-tronics.co.uk

www.gai-tronics.co.uk



UK: Tel: +44 (0) 1283 500500
 USA: Tel: +1 (610) 777-1374
 Italy: Tel: +39 02 4860 1460
 Malaysia: Tel: +60-3-8945-4035
 Australia: Tel: +61-28-851-5000

www.gai-tronics.co.uk
www.gai-tronics.com
www.gai-tronics.it
www.gai-tronics.com
www.austdac.com.au

