



Type DPE

Features

- International Ex approvals
- IP66, CSA Enclosure Type (NEMA) 4X
- Available in two thread lengths: 10mm 2 drain holes or 15mm 3 drain holes
- Available in brass, stainless steel, aluminium and glass filled nylon
- Metric and NPT threads available

Benefits

- Provides method of draining moisture within enclosures
- Allows air within enclosure to breathe with surrounding atmosphere
- Maintains increased safety certification
- Maintains IP integrity

Materials

- Brass CZ121
- 316 stainless steel
- Aluminium
- Glass filled nylon

Threadforms

- Metric
- NPT

Plating options

- Electroless nickel
- Zinc
- Others on application

Technical specification

Code of protection categories

ATEX: I M2/II2GD, Ex e I/II Mb Gb, Ex tb IIIC Db IP66, II2GD, Ex e IIGb Ex tb IIIC Db IP66

IECEX: Ex e I/IIC Mb/Gb, Ex tb IIIC Db, IP66, Ex e IIC Gb, Ex tb Db IP66

GOST: ExelU. Nylon, ExelIU IP66

CSA; Class 1, Zone 1 Ex e II IP66, CSA Enclosure Type 4X (NEMA 4X)

Compliance standards

ATEX: EN 60079-0, EN 60079-7, EN 60079-31

IECEX: IEC 60079-0, IEC 60079-7, IEC 60079-31

CSA: CSA Standard C22.2 No. 0-M, CSA Standard C22.2 No. 0.5, CSA Standard C22.2 No. 94, CAN/CSA E79-7-95, UL2279

Certificate details

ATEX: Sira 99ATEX3050X

IECEX: IECEX SIR 08.0024X

GOST: TR RU C-GB.GB06.B.00106

CSA: 185887-2500003408 (LR 106084)

Temperature

Metallic body dependent on filter and seal material

Nylon body: -50°C to +125°C, unless limited by filter material

HDPE filter: -50°C to 85°C

Metallic filter dependent on body and interface material

Nitrile: -30°C to +100°C (supplied as standard)

EPDM: -50°C to +125°C

Neoprene: -40°C to +100°C

Viton: -20°C to +180°C

Silicone: -50°C to +180°C

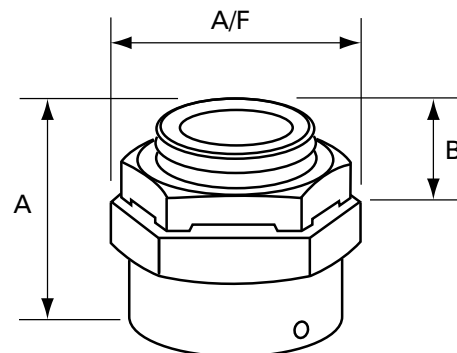
Fluorosilicone: -70°C to +150°C

Ingress protection (IP):

Tested to IP66

Part number:

Please refer to page 10 for part numbering system



Dimensions of metric versions

Size	A/F	Overall length (A)	Thread length (B)
M20	28.60	23.00 (min)	10.00 (min)
M25	34.90	23.00 (min)	10.00 (min)
M32	41.30	23.00 (min)	10.00 (min)
1/2" NPT	28.60	28.00 (min)	15.00 (min)
3/4" NPT	34.90	28.00 (min)	15.00 (min)
1" NPT	41.30	28.00 (min)	15.00 (min)