



ECLIPSE JUNIOR

LED Lowbay

A compact, highly energy efficient luminaire. Ideal for Industrial Applications, with an equivalent performance to a 70W HID luminaire.



UK
CA CE

International Approvals

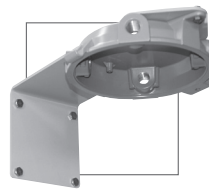
Mounting Options

Pendant. Pole/Column. Wall. Medium Bay. Low Bay.

Standard Specification

Eclipse Junior LED Lowbay

Enclosure	Painted aluminium body (smoked grey) with glass globe
Entry	2 x M20 cable entries
Termination	3 core 6mm ² max. conductor with looping
Installation	Surface mounted
Control Gear	Electronic Driver
Colour Temperature (CCT)	5000K (Cool White)
Colour Rendering Index (Ra)	≥70
Maintenance	Barrel nut fastener
Ingress Protection	IP66
Surge Protection	4kV line to line, 6kV line to earth
Electrical Supply	110-277V AC 50/60Hz



Dome Reflector • Angled Reflector • Stanchion Mount • Wall Mount • Wire Guard

Features

- ◆ Highly **Energy Efficient**
- ◆ **40% power savings** compared to equivalent 70W HPS lamps
- ◆ **Easy one bolt access** for installation
- ◆ **40% lighter** than our Eclipse II alternative
- ◆ Low temperature applications to **-40°C**
- ◆ **>100,000 maintenance free hours** at 25°C

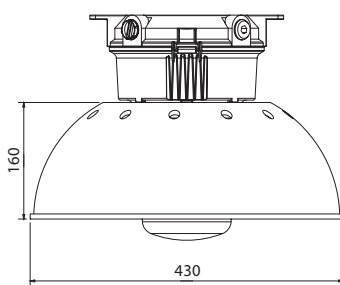
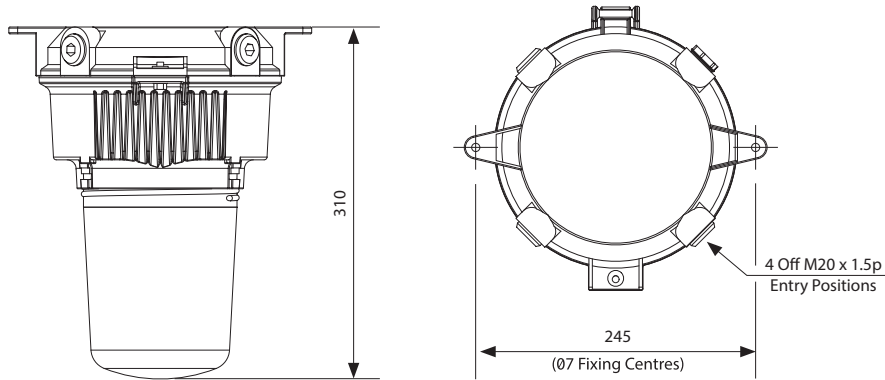
Std. Cat No.	Delivered Output	Power Consumption	Ambient °C	Weight
ECJI/05L/LE	4827 lm	45W	-40 to +55	5.0kg

Options - Suffix to Catalogue No.			
/PE	Pendant mount version (for M25 conduit)	/WM	Wall mount version
/ST	Stanchion mount version (to suit pole threaded 1¼ NPT)	/4K	4000K (Neutral White) LED Array
/3K	3000K (Warm White) LED Array		

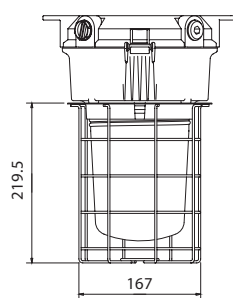
Accessories *Accessories should be ordered separately*

	Order Code
Wire guard (can be used with reflectors)	E0850-0048
Dome reflector	SECL0-0001
30° Angled reflector	SECL0-0002

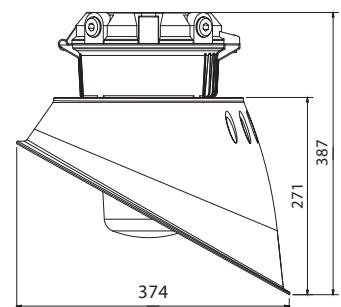
ECJI/05L/LE



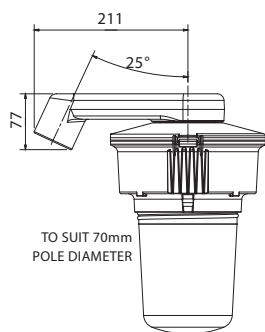
ECJI/05L/LE + SECL0-0001



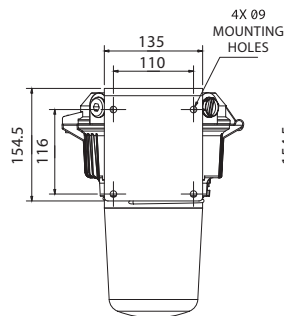
ECJI/05L/LE + E0850-0048



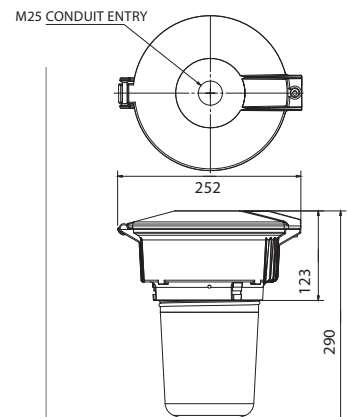
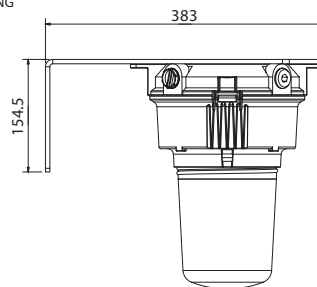
ECJI/05L/LE + SECL0-0002



ECJI/05L/LE/ST



ECJI/05L/LE/WM



ECJI/05L/LE/PE